

**902 to 928 MHz
32-Channel FM
Stereo Audio Transmitter**

The AT900-32 conforms to FCC Part 15 requirements for unlicensed use and has a range up to approximately 750 feet*. The AT900-32 transmits excellent quality low noise stereo audio from any line level source. 32 channels are available to enable operation of multiple units in an area. Use with AR900-32 receiver.



Features

- 32-Channel Selection
- Line Level Stereo Inputs
- Adjustable Audio Input Modulation Level
- Modulation Level Indicator LEDs (OK & peak)
- Built-In Noise Reduction
- User-Selectable Automatic Level Control
- Crystal Reference Ensures Excellent Frequency Stability
- Small Yet Rugged Extruded Aluminum Enclosure
- Antenna, Audio Cable, and AC Adapter Included

Typical Applications

- Wireless Audio Transmission
- Distribution of Audio Entertainment Content
- Portable Wireless Camera/Monitor Systems
- Home Theater Installations

Product Ordering

<i>Model</i>	<i>Frequency</i>	<i>Matching Receiver</i>
AT900-32	902-928 MHz	AR900-32

Interface Table

Antenna	Quarter-Wave
Audio In	RCA Female (Phono) Left & Right
Power In	2.1mm Male
Channel Select	Screwdriver Selectable, 1-32

* Line of sight, when used with AR900-32 Receiver and included antennas.

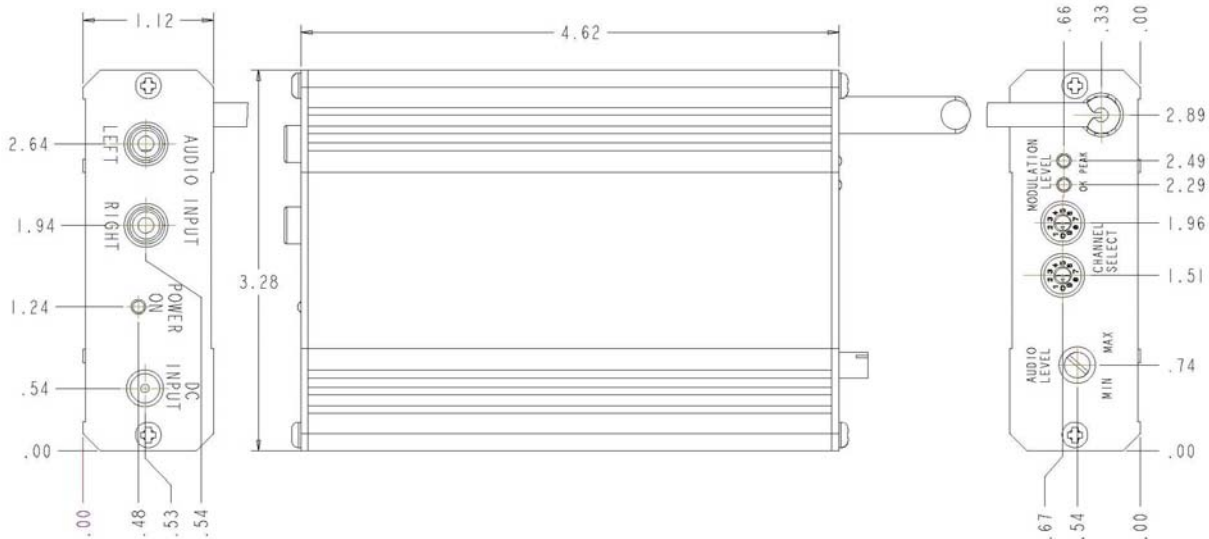
Specifications

Sym	Parameter	Min	Typical	Max	Unit
DC _{in}	Operating Voltage Range	7.5	9	18	Volts
I	Operating Current		120		mA
SNR	Audio Signal to Noise Ratio*		78		dB
	Audio Frequency Response (+/- 3dB, flat EQ setting)*		15-15K		
	Audio Channel (L/R) Separation (@ 1KHz)*		30		dB
THD	Audio Distortion (@ 1KHz, +/- 25KHz Deviation)		0.3%		
	Stereo Pilot Level		-20		dBc
P _{out}	RF Power Output		1		mW
	Frequency Stability (over operating temperature range)		+/- 30		ppm
	FM Deviation		+/- 75		KHz
	Harmonic Suppression		-45		dBc
Z _{out}	Antenna Output Impedance		50		Ohms
T _{op}	Operating Temperature	-20		+70	°C

*Audio performance specifications are "end-to-end" characteristics, when used with Applied Wireless Model AR900-32 Receiver.

Maximum Ratings

Sym	Parameter	Value	Unit
DC _{in}	DC Supply Voltage	-50 to +35	Volts
T _{stg}	Storage Temperature	-50 to +150	°C

Package Dimensions (inches)

Application Notes

- Antenna should be oriented vertically, either up or down.
- Significantly increased operating range may be achieved with a directional antenna (such as a Yagi or flat panel) on the AR900-32 receiver. See Applied Wireless Website for a selection of antennas.

Specifications subject to change without notice or obligation.

www.appliedwireless.com • Tel: (805) 383-9600 • Fax (805) 383-9001